

# CUBIX® Faucet Double Stack with CUBIX® Lever Handles - 0.5 GPM

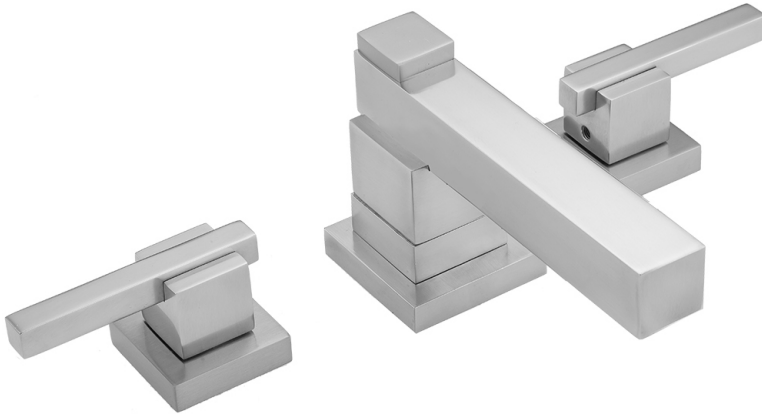
Model #: 3304-T670-0.5-

# JACLO®

Confidence from start to finish.™

## FEATURES:

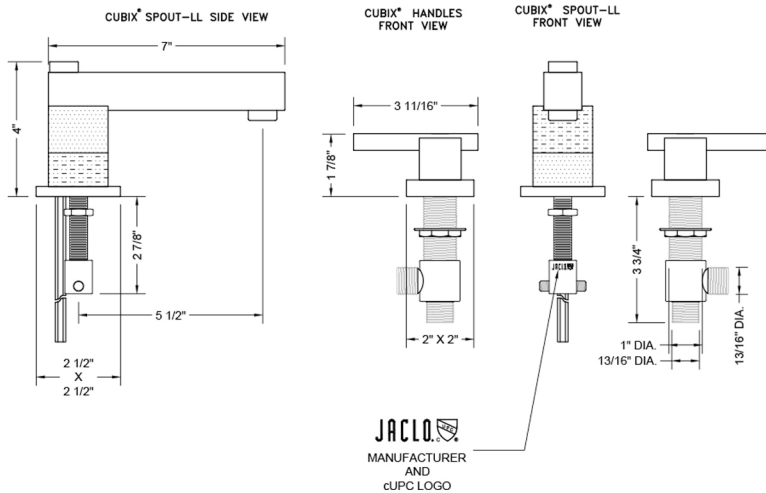
- All brass 8" - 12" widespread faucet includes brass pop-up drain with overflow
- 1/4 turn ceramic valves
- Stationary Spout
- Available Flow Rates: 1.5, 1.2 & 0.5 GPM. Additional flow rate (aerator) options available. Contact JACLO
- 5 1/2" spout reach center to center
- Spout Hole Size Min-Max: 1 5/8" - 2"
- Valve Hole Size Min-Max: 1 1/8" - 1 5/8"
- For additional drain options refer to lavatory drain section or visit [jaclo.com](http://jaclo.com)
- Not available in BKN, PCU, PG, SG, WH, JACLO=COLOR



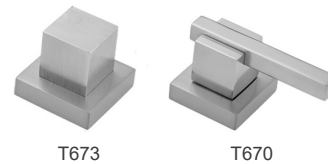
## AVAILABLE FINISHES:

|                         |                              |                      |
|-------------------------|------------------------------|----------------------|
| Polished Chrome (PCH)   | Satin Chrome (SC)            | Bronze Umber (BU)    |
| Satin Nickel (SN)       | Pewter (PEW)                 | Caramel Bronze (CB)  |
| Polished Nickel (PN)    | Antique Brass (AB)           | Antique Copper (ACU) |
| Oil-Rubbed Bronze (ORB) | Polished Brass (PB)          | Vintage Bronze (VB)  |
| Satin Brass (SB)        | Matte Black (MBK)            | Satin Cooper (SCU)   |
| Graphite (GPH)          | Aged Unlacquered Brass (AUB) |                      |

## SPECIFICATION DRAWING:



## AVAILABLE HANDLES:



## COMPLIANCES:



Complies with: ASME A112.18.1-2012/CSA B125.1-12